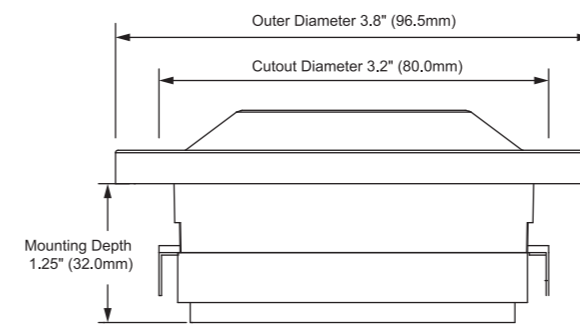
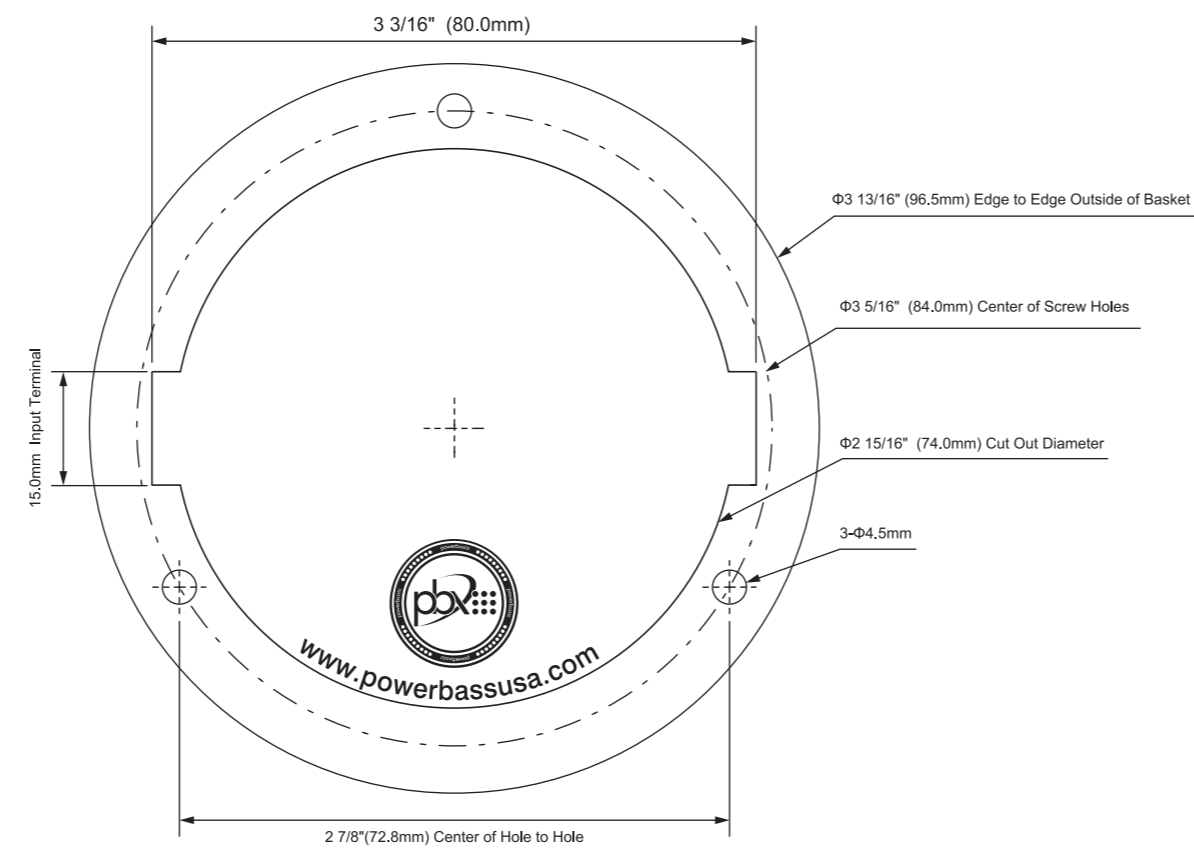


285mm

210mm

powerbass
X T R E M E



POWERBASS XTREME LIMITED WARRANTY POLICY

PowerBass USA, Inc. offers limited warranty on PowerBass products under normal use on the following terms:

PowerBass Xtreme Speakers are to be free of defects in material and workmanship for a period of one (1) year. The warranty is extended to three (3) years for parts and labor, if an Authorized PowerBass Xtreme Dealer completes the installation.

This warranty applies only to PowerBass products sold to consumers by Authorized PowerBass Dealers in the United States of America. Products purchased by consumers from a PowerBass dealer in another country are covered only by that country's Distributor and not by PowerBass USA.

This warranty covers only the original purchaser of PowerBass product. In order to receive service, the purchaser must provide PowerBass with the receipt stating the consumer name, dealer, product and date of purchase.

Products found to be defective during the warranty period will be repaired or replaced (with a product deemed to be equivalent) at PowerBass's discretion and will not be liable for incidental or consequential damages. PowerBass will not warranty this product under the following situations:

- Speakers received with bent frames or water damage
- Abuse such as holes in the cone, surround or ripped spider
- Voice coil damage due to amplifier clipping or distortion
- Product that has not been installed according to this owners manual

Any implied warranties including warranties of fitness for use and merchantability are limited in duration to the period of the express warranty set forth above. Some states do not allow limitations on the length of an implied warranty, so this limitation may not apply. No person is authorized to assume for PowerBass any other liability in connection with the sale of this product.

Please call (909) 923-3868 for PowerBass Customer Service. You must obtain an RA# (Return Authorization Number) to return any product to PowerBass. The RA number must be prominently marked on the outside of the shipping carton or the delivery will be refused. Please pack your return carefully; we are not responsible for items damaged in shipping. Return the defective product along with a copy of the original dated retail sales receipt, plus \$12.00 for handling and diagnostic evaluation to:

PowerBass USA, Inc., Attn: Returns (RA# _____)
2133 S. Green Privado, Ontario, CA 91761

Residents of HI, AK and US territories will be charged for return shipping. All inquires regarding service and warranty should be sent to the above address.

RECOMMENDED CROSSOVER FREQUENCY
4kHz 6dB/octave crossover
(minimum requirement of supplied 3.3uF capacitor)*

4XL-2H
TEMPLATE • CALIBRE • PLANTILLA

- SPECIFICATIONS
- CARACTERISTIQUES
- ESPECIFICACIONES

Model Modele Modelo	Size Taille Tamaño	Nominal power (RMS) Puissance nominale Potencia nominal	Max. power Puissance maximum Maxima potencia	Nomial impedance Impédance nominale Impedancia nominal	Sensitivity Sensibilité Sensibilidad	Frequency response Bande passante Respuesta de frecuencia	Magnet weight Poids aimant Peso del imán	V.C. Diam (inch) (mm)	Mounting depth Profondeur d'encastrement Profundida de montaje
4XL-2H	4" (102mm)	100W*	200W	4Ω	103dB/W	3kHz - 20KHz	8oz 227g	2" 50.8mm	1.25" inch (32mm)